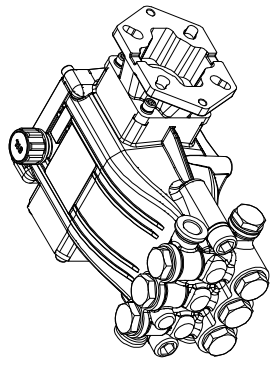
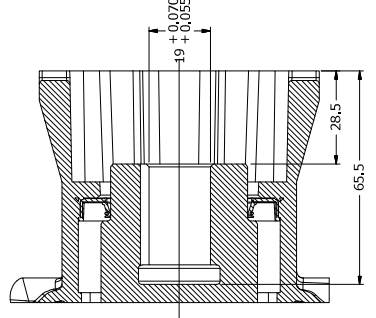
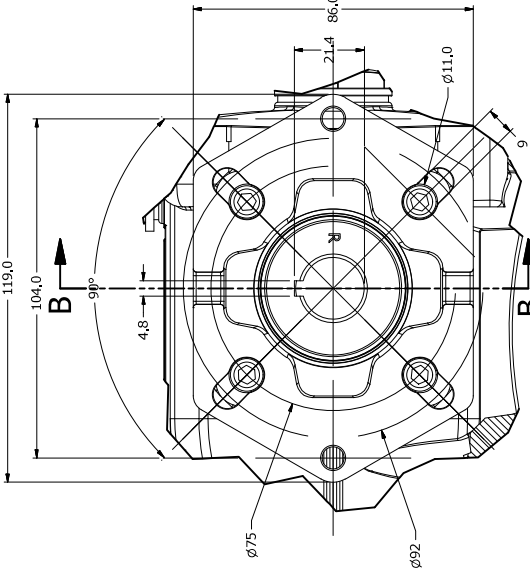
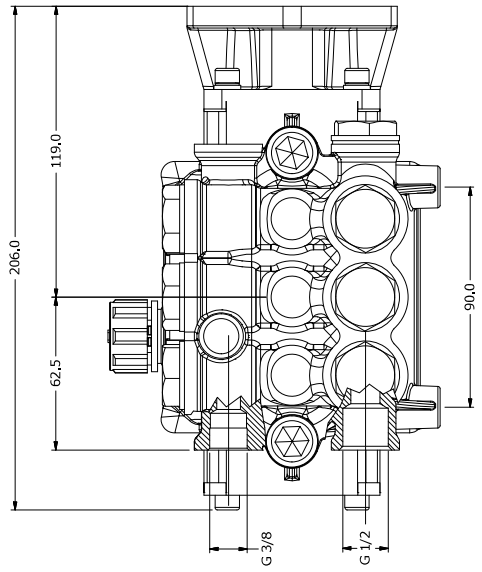
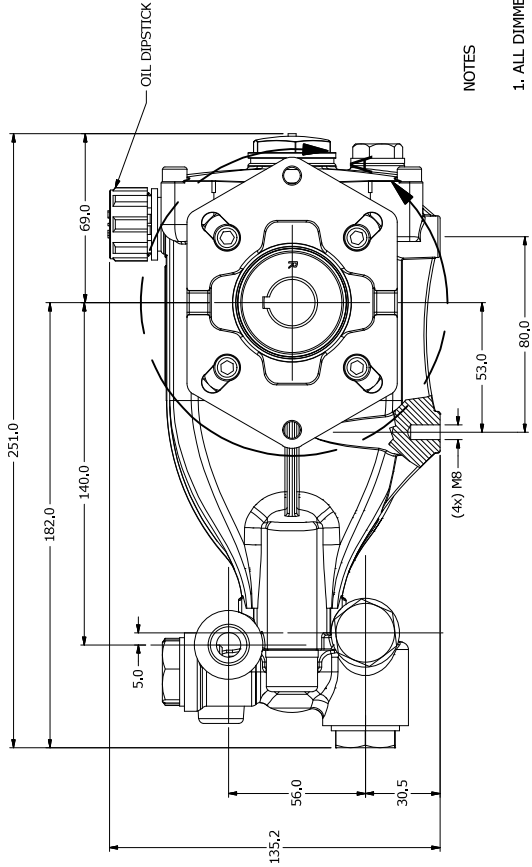


REV	DESCRIPTION	DATE	BY	ECN
A	RELEASED FOR PRODUCTION	08/31/2015	US1GMORALES	5024741



**NOTES**

1. ALL DIMENSIONS ARE IN INCHES UNLESS OTHERWISE IS SPECIFIED.
2. MATERIAL SHALL BE FREE OF OIL, SCRATCHES AND DUST  
MATERIAL LIBRE DE ACETTE, RAYONES Y POLVO.
3. PUMP MUST BE DELIVERED FILLED WITH OIL.

PART NUMBER	NHD1120G
GPM	3.0
PRESSURE MAX	3000 PSI
PUMP SPEED	3400 RPM
BORE	1/4" IN
STROKE	9.2 mm
OIL CAPACITY	0.4 Lt
OIL WEIGHT	10W-40
MAX FLUID TEMP	1850 F
INLET THREAD	G 1/2
DISCHARGE THREAD	G 3/8
SHAFT DIAMETER	3/4" HOLLOW SHAFT
WEIGHT	7.8 Kg
DIMENSIONS	9.88 X 8.11 X 5.33 in

**PROPRIETARY & CONFIDENTIAL**  
 THE INFORMATION CONTAINED IN THIS DRAWING IS PROPRIETARY AND MAY CONTAIN TRADE SECRETS OR OTHER UNLAWFUL MATTER WHICH ARE THE EXCLUSIVE PROPERTY OF KARCHER NORTH AMERICA. THIS DRAWING IS PROTECTED BY THE COPYRIGHT LAWS OF THE UNITED STATES.

**GENERAL TOLERANCES**  
 FRACTIONAL ±1/8  
 X.XX ± 0.060  
 X.XXX ± 0.030  
 X.XX ± 0.050  
 X.X° ± 1.0°

DRAWINGS ARE APPROVED VIA ELECTRONIC SIGNATURE IN PDM SYSTEM  
 DRAWN us:lpfitton DATE 3/9/2015

**KARCHER**  
**MONTERREY DESIGN FACILITY**  
 Av. Arce #831 P. Int. Guadalajara  
 Guadalajara, Jalisco, México 47190  
 Tel: (52) 33 3611 3000  
 Fax: (52) 33 3611 3344-3320

DESCRIPTION	PUMP, LEUCO LP3035G, 3.0@3500, 3400RPM		
SIZE	IMACHINE	DRAWING NUMBER	REV
B		8.754-756.0	A
SCALE		THIRD ANGLE PROJECTION	SHEET
			1 OF 1

SECTION B-B  
SCALE 1 : 1.5

DETAIL A  
SCALE 1 : 1.5

Compliance with the current version of Karcher standard kaN 050.032 Constituent substances (ban of lead, cadmium, etc.) must be guaranteed.